

Auto Hematology Analyzer, 3 Parts

HEMA-D6031 HEMA-D6190



Description

- ◆ 19 parameters + 3 histograms
- ◆ 8.4 inches touch screen
- ◆ Up to 60 tests per hour
- ◆ CBC with 3-Part differentiation,
- ◆ 9.7 μ L venous blood/20 μ L peripheral blood sampling volume for testing
- ◆ Storage report (with picture) >1000 cases, unlimited expansion with U disk
- ◆ Available U disk software upgrade
- ◆ Real-time display and detection of sample temperature
- ◆ Wide range power supply design AC100V-264V



HEMA-D6031

Specifications

Model	HEMA-D6031
Parameters	19 parameters: WBC GRAN# GRAN% MON# MON%LYM# LYM% HGB RBC HCT MCV MCH MCHC RDW-SD RDW-CV PLT PCT MPV PDW; 3 histograms for WBC,RBC and PLT
Principles	RBC WBC dual-channel cell counting electrical impedance method,,HGB Cyanide-free colorimetric method
Display screen	8.4 inch 800x600 dot matrix, TFT color touch LCD screen
Language	Chinese, English
Sampling volume	9.7 μ L venous blood/20 μ L peripheral blood
Throughput	Up to 60 tests per hour
Printout	Print out five types of printed report sheets with normal value ranges, built-in thermal printer, and can be connected to an external printer
Data interface	RS232 port, dual USB ports
Power	AC 100V~264V 50Hz/60Hz
Dimension	L*W*H: 380mm* 340mm * 430mm
Weight	Net weight: 12kg Gross weight: 16kg

Description

- ◆ 21 parameters + 3 histograms;
- ◆ 10.4 inches color touch screen display;
- ◆ Up to 60 tests per hour;
- ◆ 3-part differentiation of WBC;
- ◆ Double chambers for WBC and RBC/PLT;
- ◆ External thermal printer;
- ◆ Barcode scanner for option.

Performance

Parameter	Linearity range	Precision(CV%)
WBC($10^9/L$)	0.0-100.0	2.0(4.0-10.0)
RBC($10^{12}/L$)	0.00-9.99	1.5(3.50-5.50)
HGB(g/L)	0-300	1.0(110-160)
PLT($10^9/L$)	0-1000	5.0(100-300)



HEMA-D6190

Specifications

Model	HEMA-D6190
Technical Specifications	21Parameters+ 3Histogram:WBC,LY# ,MID# ,GR# ,LY%,MID%,GR%, RBC,HGB,HCT,MCV,MCH,MCHC, RDW-SD, RDW-CV,PLT,MPV, PDW,PCT,P-LCR、 P-LCC and Histogram for WBC,RBC,PLT
Method	Coulter principle: Colorimetry hamoglobin determination
Throughput	60 tests/hour
Language	Chinese, English, Portuguese, Hindi, Spanish, French, Thai, Russian, Vietnamese
Display	10.4" color touch screen display
Sampler Volume	Predilute 20 μ l Whole blood 10 μ l
Intelligent reagent management function	Reagent information and residual display
Carryover	WBC \leq 1.5% ; RBC,HGB<1.0% ; PLT \leq 2%
Input and output	1 RS232 , keyboard , Mouse 4 USB,LAN
Printout	External printer
Option	Barcode scanner, LIS
Operating Environment	Temperature10-35 $^{\circ}$ C Humidity \leq 90%
Power requirement	AC 100-240V 50/60HZ , 300VA
Demension	Instrument: 354mm(H)*430mm(W)*440mm(D) Package:520mm(H)*570mm(W)* 600mm(D)
Weight	Net :17kg Gross:21. 8kg

Auto Hematology Analyzer, 3 Parts

HEMA-D6130



Description

- ◆ 20 parameters+ 3 histograms
- ◆ 10.4 inches large color LCD displays(Standard non-touch screen, Optional touch screen); Up to 60 tests per hour; High reliability & Safety, The most advanced technology and structure
- ◆ Adopting the most advanced binuclear embedded digital circuit system makes the analytical ability great and stable
- ◆ Separate test units of WBC and RBC makes the test results more accurate and less cross- contamination
- ◆ Adopting CPLD technology in data processing, free from the interference of electromagnetic signals
- ◆ Easy operation: Easy operating interface; Dual test units, fast and convenient; Module design, fast maintenance
- ◆ Economical and Durable
- ◆ Long life of the machine, all accessories with high performance
- ◆ Classic design of highly reliable fluid pipe structure
- ◆ Long-term stability, accurate and reliable clinical test results is the core of HEMA-D6130

Specifications

Model	HEMA-D6130	
Principle	Electrical impedance for counting and SFT method for hemoglobin	
Test parameters	WBC, LYM#, MID#, GRA#, LYM%, MID%, GRA%, RBC, HGB, HCT, MCV, MCH, MCHC, RDW-CV, RDW-SD, PLT, MPV, PDW, PCT, P-LCR, and 3 Histograms for WBC, RBC and PLT	
Sample quantity	9μL venous blood, 20μL pre-dilution blood	
Sample Pre-dilution	Internal diluter, add 1ml diluent automatically by the needle; no need to add diluent manually, to avoid error and make the operation more convenient and standard.	
Working model	Dual-channel testing	
Aperture	WBC: 80μm RBC/PLT: 50μm	
Throughput	Automatic sampling, 60 samples per hour.	
Results storage	Storage of 10,000 patients' results (including histogram).It is more convenient to manage and review historical data.	
Reference value setting	For general use, male, female, children, newborns.	
Calibration	Manual and automatic calibration	
QC	Comprehensive QC program, forming and printing the histogram automatically.	
Performance index	precision (CV)	linear range
	WBC≤4.0%	1.0×10 ⁹ /L~99.9×10 ⁹ /L
	RBC≤2.0%	0.30×10 ¹² /L~7.00×10 ¹² /L
	HGB≤2.0%	20~240g/l
	PLT≤8.0%	20~999×10 ⁹ /L
MCV≤3.0%		
Boot check	Self check for hardware, alarm for disorder	
Clog-removal	Real time monitor, high ignition,soak, flush and back flush	
Classification	Floating landmark technique	
Mainframe control	ARM Intelligent micro-processing technology and high- performance document-management, display and print-processing.	
Data analysis	Intelligent pulse formulation techniques	
Structural features	Separate module design	
Display	10.4" large color LCD displays all parameters and histograms simultaneously	
Language	Chinese, English	
Print	Internal thermal printer or USB port universal printer (matching)	
Output	3USB port, 1parallel printer port, 2 RS232 port	
Temperature	15-30 C	
Humidity	≤80%	
Atmospheric pressure	70Kpa-106Kpa	
Power supply	AC220V±22V, 50Hz±1Hz	
Dimensions	325 x 370 x 545 mm	
Weight	15 kg	

Auto Hematology Analyzer, 5 Parts

HEMA-D6052



Selling Point

- 29 parameters, 1 Scattergram, 4 histograms
- High throughput: 90 tests/hour
- 12.1 inch touch screen
- Storage Up to 100,000 results

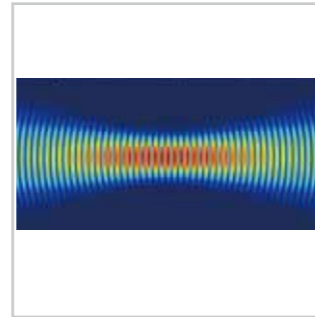


Specifications

Model	HEMA-D6052		
Technical Specifications	Optical solid state LASER scattering Wide angle light scatter. High efficient light collector(patented) Electrical Impedance. Double hydrodynamic focusing		
Parameters	WBC, LYM#, MON#,NEU, EOS#, BAS#,LYM%,MON%,NEU%,EOS%,BAS%,RBC, HGB, MCV, HCT,MCH, MCHC, RDW-SD, RDW-CV, PLT, MPV, POW, PCT, P-LCC, P-LCR, LX, LY, NX,NY, etc. Research parameters: ALY#,ALY%, LIC#, LIC%, NIL#, NIL% , etc. 1 Scattergrams: WBC Interpreted scattergrams 4 Histograms: RBC. PLT. WBC. cyto		
Throughput	Up to 90 samples per hour		
Display	12.1Inch Touch Screen		
Language	Chinese, English, Portuguese, Hindi, Spanish, French, Thai, Russian, Vietnamese		
Sample types	Whole blood. PLT only. HB only. Capillary predilution.Dlluent. Control. Calibrator		
Performance	Parameter	Linearity range	Precision (CV%)
	WBC	0.1-100	2.0 (4.0-10.0)
	RBC	0-9.99	1.5 (3.5-5.5)
	HGB	0-300	1.0(110.0-160.0)
	MCV	45-135	0.5(80.0-100.0)
Sample volume	PLT	0-1000	4.0(100-300)
	Prediluted: 20µL Whole blood: 10µL		
Carryover	WBC<0.5%, RBC<0.5%, HGB<0.5%, PLT<0.8% .		
Multi-language	Chinese、 English for optional others can be customized		
Data storage capacity	Up to 100,000 results including numeric and graphical information		
Printout	External Laser printer/Inkjet printer, various printout formats and user-defined formats		
Operating Environment	Temperature:10-35°C		
	Humidity:30%~ 85%		
Power Requirement	AC 100-240V 50/60HZ		
Dimension	Instrument:532mmx400mmx520mm		
	Package: 696mmx576mmx696mm		
Weight	Net:28KG Gross:32KG		

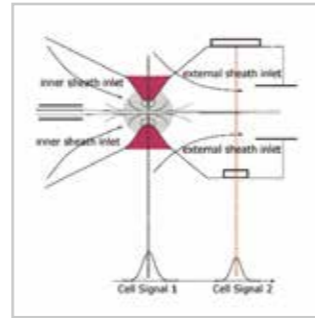
Unique high efficiency laser energy focusing technology

Patented high efficiency laser energy focusing, combining Fresnel lens focusing laser signal Effectively avoid the interference of other light signals, and get stronger and more stable signal More accurate classification



Unique double sheath flow focusing fluid technology Inner

Sheath flow closely packed cell, so that the cell are arranged in sheath flow axis, make sure flow through the testing center one by one under the action of flow power.
Outer sheath flow device, ensure cell were taken away quickly after flowing through aperture, avoid eddy current, in order to get more stable signal.



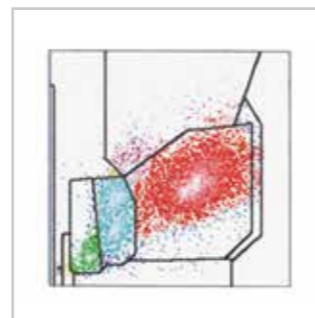
Exceptional cellular alarm function

Fragment、plasmodium、 cell tolerance、 PLT aggregation、 Low HGB in RBC、 abnormal scatter diagram custom parameters alarm recheck.Provide multinomial research parameters: specific lymphocyte、 immature cell. unrecognized cell etc.



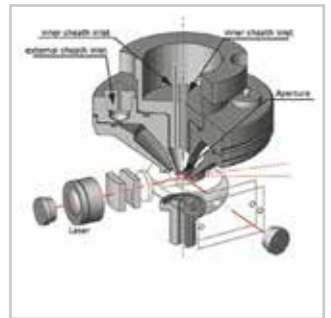
Floating classification technology

Automatically adapt to the change of scatter gram, effectively identify the boundaries of various cells, to obtain more accurate WBC classification results.



Laser Light scatter and Cell Histochemistry method

Semiconductor laser which has long service life and laser signal more stable.Through laser light scatter and cell histochemistry technology, provide size of cell, cell nucleus and cell particle. Make classification and counting more accurate.



Accurate blood dispense system

HEMA-D6052 utilizes advance ceramic sample rotator valve platform to accurately segments blood with high precision.



Prediluted

Select Prediluted mode, automatic injection prediluted reagent Easy operation and avoid manual errors



Original Reagent

Only3 types :
Sheath Hematon、 Enzyme Detergent and Complex Cell Hemalyse
High quality original reagent ensure high accuracy



Auto 5-part Hematology Analyzer

HEMA-B6051Mini



Selling Point

- 60 tests/hour
- 25 Reportable parameters,
- One 3D scattergram,,
- 3 Histograms(WBC/BASO, RBC, PLT)
- 4 Research parameters

Features

◆ Premium large touch screen

14inch touch screen with high resolution and sensitivity, can be operated by wearing gloves.

◆ SMART-FLOW fluidic patent technology

The creative SMART-FLOW fluidic technology is a simple and efficient system, which makes AC 610with good reliability and free of maintenance.

◆ Accurate measurement for low value PLT

Advanced Sweep-Flow technology guarantees low PLT samples counted precisely.

◆ Low volume sample consumption

CBC+DIFF mode : $\leq 20\mu\text{l}$, CBC mode : $\leq 10\mu\text{l}$, Ideal choice for pediatrics and geriatrics.

◆ Low running cost

Only three reagents needed for the test, low reagent consumption for single test.

◆ Easy to use

ONE touch to start the test, ONE click to remove error, ONE screen for most of the dally operation.
Intelligent turn off power switch.

Specification

Model	HEMA-B6051Mini
Throughput	60 tests/hour.
Parameter	25 Reportable parameters: WBC, RBC, HGB, HCT, MCV, MCH, MCHC, RDW-SD, RDW-CV, PLT, MPV, PCT, PDW, P-LCR, P-LCC, NEU%, LYM%, MON%, EOS%, BAS%, NEU#, LYM#, MON, EOS#, BAS#. 1 3D Scatter gram 3 Histograms (WBC/BASO, RBC, PLT).
4 Research parameters	ALY%, ALY#, LIC%, LIC#
Principle	Tri-angle Laser scatter, Flow Cytometry method, 3D Scattergram analysis, Impedance method for RBC and PLT counting, Cyanide free Reagent for HGB Test.
Test Mode	CBC mode $\leq 10\mu\text{L}$, CBC+DIFF mode $\leq 20\mu\text{L}$, Venous whole blood, Prediluted and Capillary whole blood.
Reagent	Diluent, LH Lyse, LD Lyse, Probe Cleanser.
Data Memory	Up to 100,000 results (including histogram, scarttergram, animal information).
Language	Chinese, English
Display	14 inch touch screen, resolution 1366*768
Interface	1 LAN port, 4 USB ports.
Communication	Support LIS connection, HL7 protocol, Internal RFID reader.
Printout	Support various external USB printers, printout formats user definable
Dimensions(L* W*H)	480*375*517mm
Weight	36 Kg
Electricity	A.C.100-240V, 50/60Hz
Working Environment	Temperature: 10-30°C, Humidity: 20% - 85%
Air pressure	70~106kPa, Working latitude: <3500m.
Certification	1 roller mixer and 1 kb online UPS is required along with all parts. CE
Warranty	1 year